

CABLE 262 RF: RF CABLE ASSEMBLY, IPEX MHF + N STRAIGHT BULKHEAD JACK W/O-RING RATED TO IP67/68 + MULTIPLE CABLE SIZES

SPECIFICATIONS:

- I-PEX MHF PLUG, P/N:  
FOR RG178 CABLE: 20278-112R-18  
FOR  $\phi 1.37$ MM CABLE: 20351-112R-37
- RG178 COAXIAL CABLE, COLOR: BROWN.
- N STRAIGHT BULKHEAD JACK WITH O-RING RATED TO IP67/68, P/N: RFCT-N001-F78.

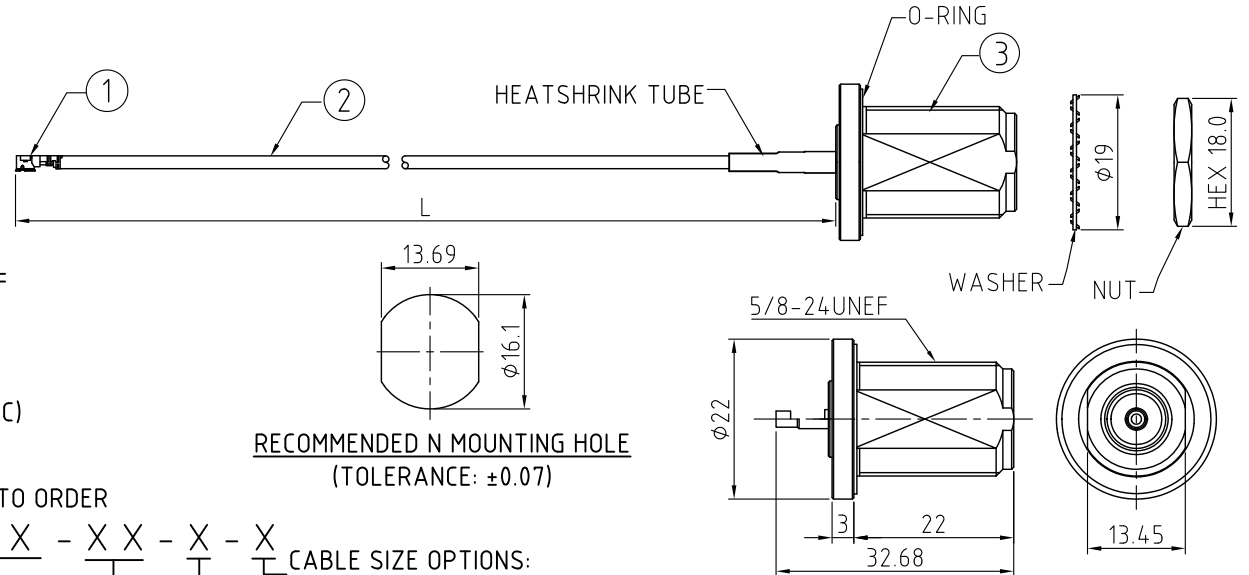
**USAGE PRECAUTIONS: CABLES USING 'MICRO' COAX ARE DELICATE:**  
 (i) HANDLE WITH CARE.  
 (ii) DO NOT TWIST; APPLY EXCESSIVE FORCES OR SHARP BENDS TO THE CABLE. DO NOT FORCEFULLY DEFORM WIRES.  
 (iii) CONSULT CONNECTOR MANUFACTURER'S DATASHEETS FOR DETAILED NOTES ON HANDLING INSTRUCTIONS.

ENVIRONMENTAL:

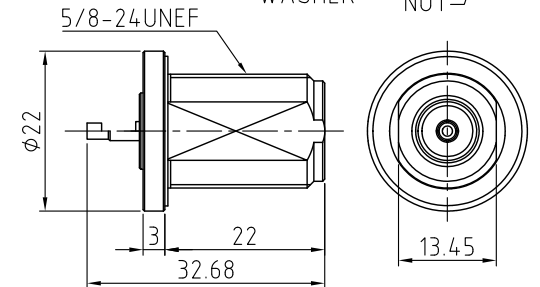
- A. BULKHEAD MOUNTED CONNECTOR (RFCT-N001-F78) RATED TO THE FOLLOWING SPECIFICATION:
- IP6X - DUST TIGHT - NO PARTICLE INGRESS.
  - IPX7 WATERPROOF FOR 30 MINUTES UP TO 1 METER UNDERWATER.
  - IPX8 WATERPROOF FOR 48 HOURS AT 1 METER UNDERWATER.

NOTES:

- THE ORIENTATION OF CONNECTORS ON DRAWING IS FOR REFERENCE ONLY, IF THE ORDER IS LEFT BLANK THE CONNECTOR WILL NOT HAVE FIXED ORIENTATION.
- FIXED ORIENTATION IS SUGGESTED FOR CABLE LENGTH 25MM TO 100MM. PLEASE SPECIFY THE FIXED ORIENTATIONS FROM THE ORDER CODE (F1, F2, ETC)
- CONTACT GRAD CONN IF THE ORIENTATION YOU REQUIRE IS NOT SHOWN.
- WORKING FREQUENCY RANGE: DC-3GHz



RECOMMENDED N MOUNTING HOLE (TOLERANCE:  $\pm 0.07$ )



N DETAIL DRAWING

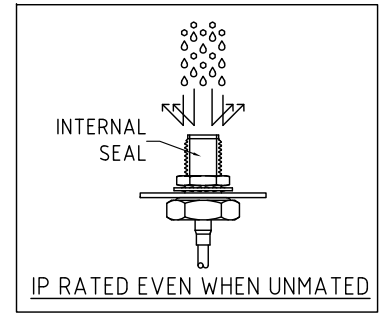
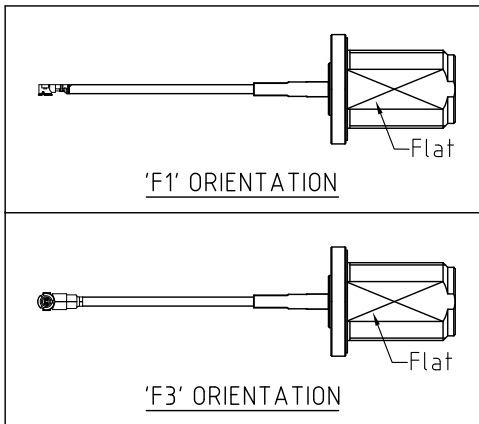
**HOW TO ORDER**  
 CABLE 262 RF - XXX - XX - X - X

"L" LENGTH IN MM  
 eg: 100MM = 100  
 (MIN. 025-MAX.400)  
 STANDARD = 100, 150, 200  
 Tolerance: <50mm :  $\pm 2$ mm.  
 51-200mm:  $\pm 5$ mm.  
 201-400mm:  $\pm 7$ mm.

CABLE SIZE OPTIONS:  
 1 = RG178 CABLE, COLOR: BROWN  
 2 =  $\phi 1.37$ MM CABLE, COLOR: BLACK

WASHER AND NUT OPTIONS:  
 BLANK = SEPARATELY PACKED (STANDARD)  
 A = ASSEMBLED WITH CONNECTOR

ORIENTATION OPTIONS:  
 BLANK = DOES NOT HAVE A FIXED ORIENTATION  
 F1 = MHF CONNECTION DOWN (L=25-200MM)  
 F3 = MHF CONNECTION AND D FLAT SAME ORIENTATION (L=25-200MM)  
 (SEE NOTES 1, 2, 3 AND DIAGRAMS FOR MORE INFORMATION)



REV. DATE & DRN	10. 20/02/17 - N/W RELEASE
11. 06/06/17 - N/W MODIFICATION	
12. 01/07/18 - N/W MODIFICATION	
13. 30/06/20 - CC	
14. 03/03/24 - CC	

Scale:	NTS
Drawn:	CC
App'd:	XXX
Date:	3 MAR. '24

THIRD ANGLE	Unstated Tolerances:
	.X N/A
	.XX N/A
	.XXX N/A
	ANGLES N/A
Title	CABLE ASSEMBLY
Revision:	1.4
Unit:	mm

IP Rated RF Products www.gradconn.com

Type:	Cable 262 RF
CABLE 262 RF	
Drawing Number:	
Sheet 1	of 1
Drawing	E and O E